



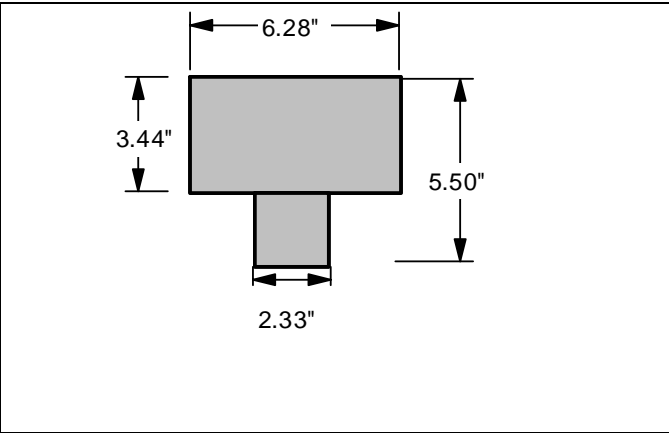
***Wolverine Brand*® Odor Control Products**
For Residential, Commercial And Industrial Applications

Superior Odor Control, Superior Quality,
 Exceptional Price

Cad Drawing/Specifications
Wolverine

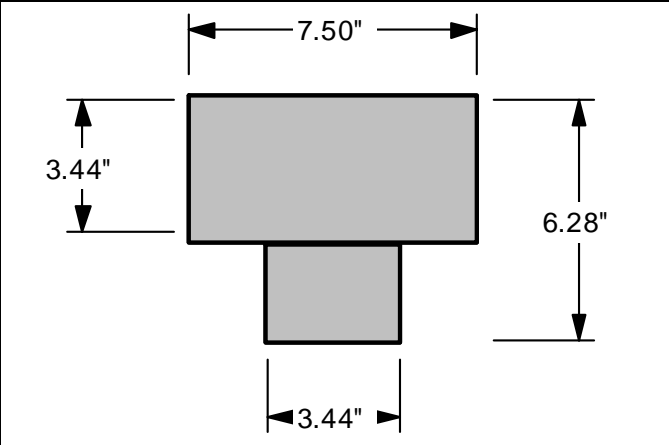
Model	Cad Drawing	Carbon Containment system
1.5 Inch Wolverine		Utilizes a perforated disc containment system. Utilizes a Flow through moisture wicking design that allows fresh air flow through carbon media to extend Media life. Vent holes are .125" in diameter and evenly spaced apart by .125"

**2 Inch
Wolverine**



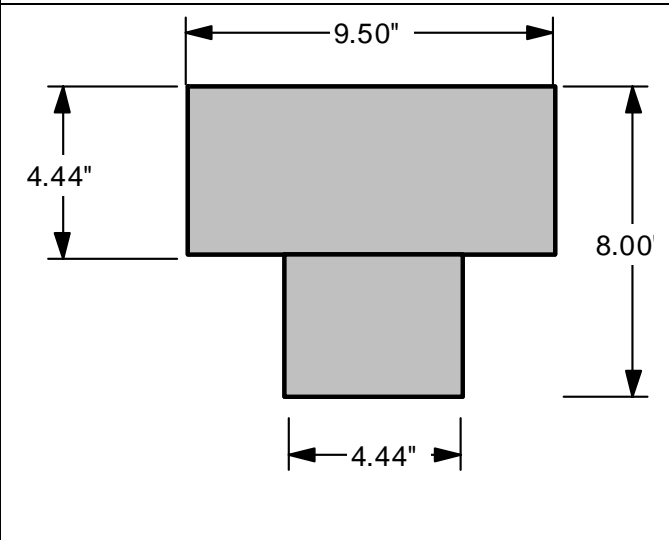
Utilizes a perforated disc containment system. Utilizes a Flow through moisture wicking design that allows fresh air flow through carbon media to extend Media life. Vent holes are .125" in diameter and evenly spaced apart by .125"

**3 Inch
Wolverine**



Utilizes a perforated disc containment system. Utilizes a Flow through moisture wicking design that allows fresh air flow through carbon media to extend Media life. Vent holes are .125" in diameter and evenly spaced apart by .125"

**4 Inch
Wolverine**



Utilizes a perforated disc containment system. Utilizes a Flow through moisture wicking design that allows fresh air flow through carbon media to extend Media life. Vent holes are .125" in diameter and evenly spaced apart by .125"

**Simple Solutions Distributing LLC.
6 Jacobs Road
West Milford, NJ 07480**

Toll Free: 1-866-667-8465 Phone: 1-973-846-7817 Fax: 973-697-8727

Website: WWW.Stopsepticodor.com

E-mail: SimpleSolution1@optonline.net